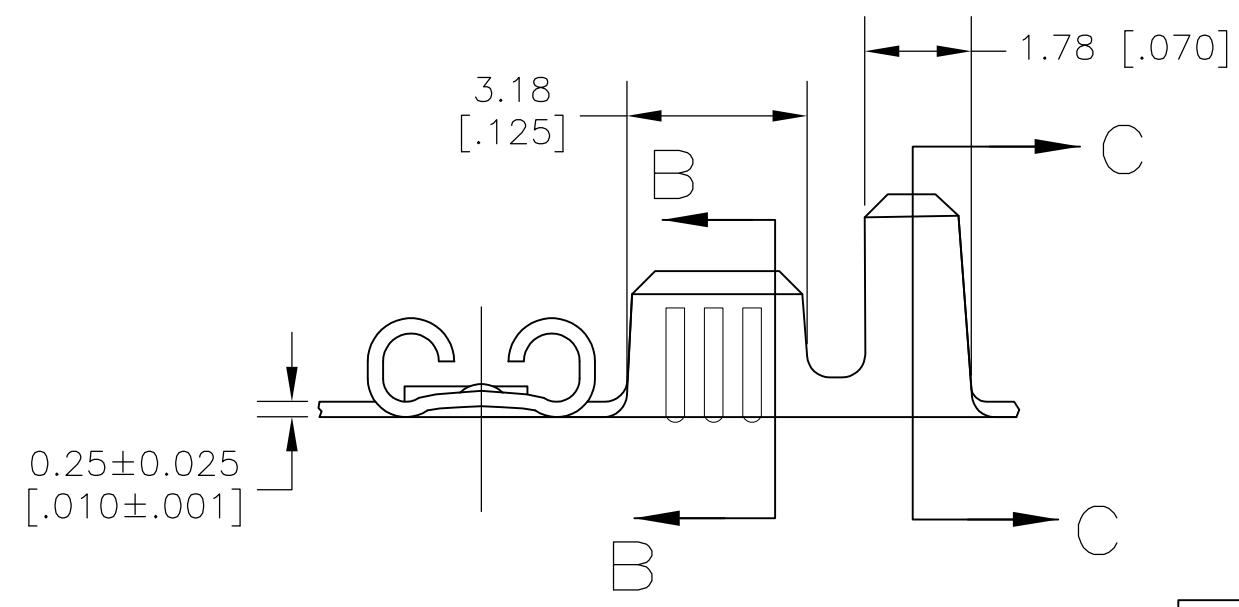
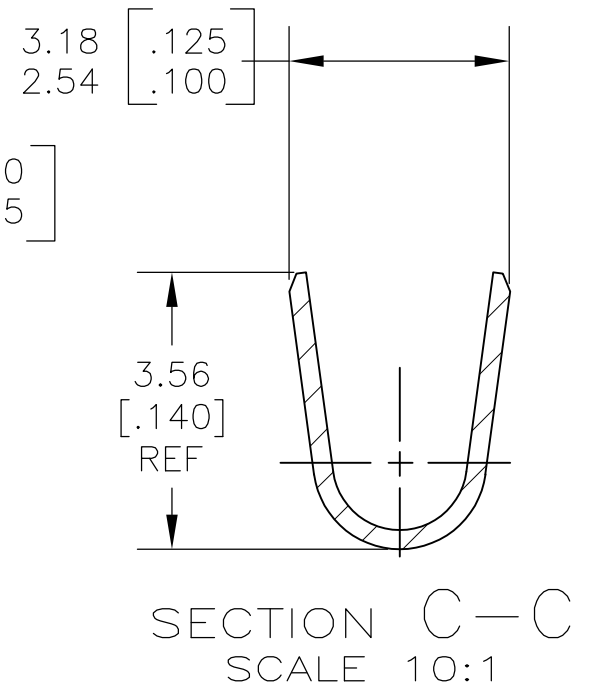
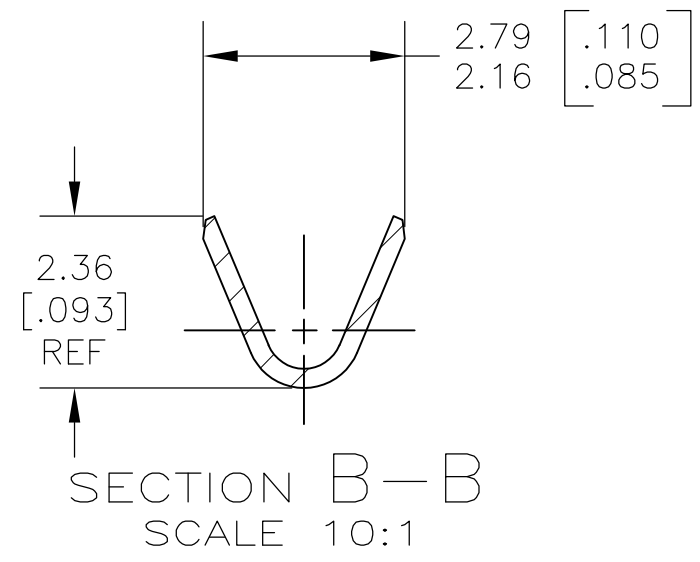
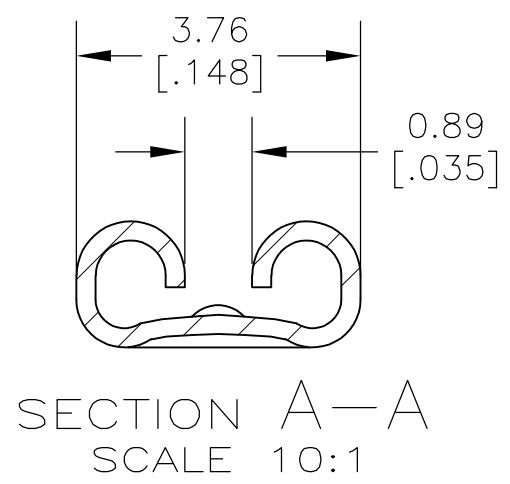
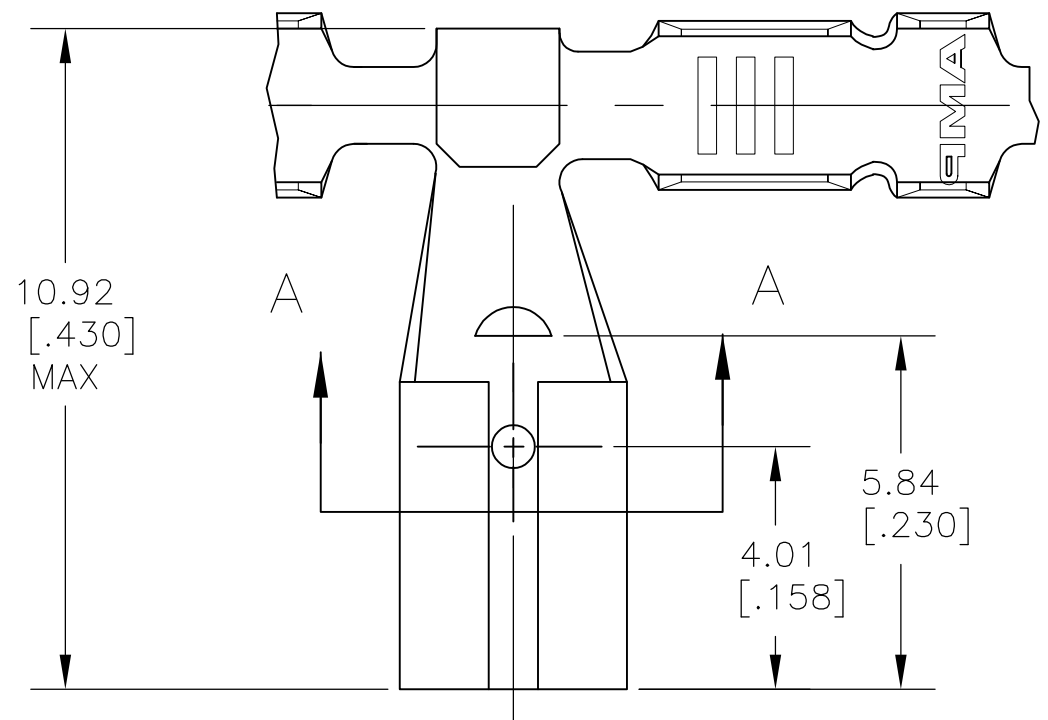


THIS DRAWING IS UNPUBLISHED. RELEASED FOR PUBLICATION
 © COPYRIGHT BY TYCO ELECTRONICS CORPORATION. ALL RIGHTS RESERVED.

LOC	DIST	REVISIONS			
P	LTR	DESCRIPTION	DATE	DWN	APVD
AF	50	A1	REL PER ECR 07-019415	20AUG07	JR PD

- 1 CONTINUOUS STRIP ON REELS
- 2 WIRE SIZE IS #22-#18 AWG
- 3 INSULATION DIA IS 2.03-2.54 [.080-.100]
- 4 MATING TAB THK IS 0.41 ± 0.025 [.016±.001].



1742613-1
PART NO.

THIS DRAWING IS A CONTROLLED DOCUMENT.		DWN JR RUTH 21JUN07	Tyco Electronics Corporation Harrisburg, PA 17105-3608		
DIMENSIONS: INCHES		CHK MS FEHER 21JUN07			
TOLERANCES UNLESS OTHERWISE SPECIFIED:		APVD P DESANTIS 21JUN07	NAME RECEPTACLE, FASTON, FLAG, 2.79 [.110] SERIES		
0 PLC ± - 1 PLC ± - 2 PLC ± 0.25 [.010] 3 PLC ± - 4 PLC ± - ANGLES ± -		PRODUCT SPEC -	SIZE A3	CAGE CODE 00779	DRAWING NO C-1742613
MATERIAL #4H BRASS		FINISH PRE-TIN	APPLICATION SPEC -	RESTRICTED TO -	SCALE 8:1
CUSTOMER DRAWING			SHEET 1 OF 1	REV A1	